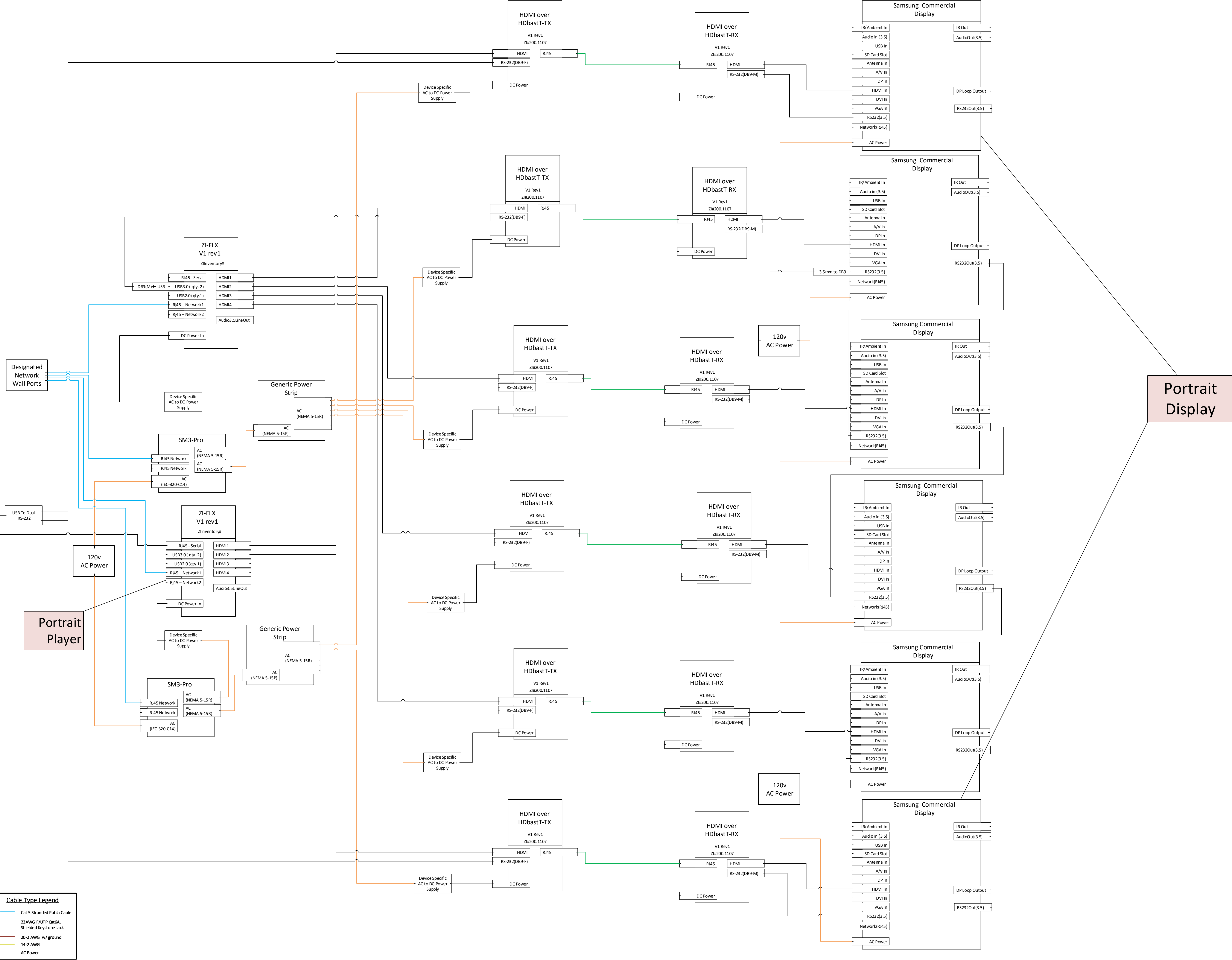


Village  
Supermarkets:  
Appy Menuboard



**Cable Type Legend**

- Cat 5 Stranded Patch Cable
- 23AWG F/UTP Cat6A, Shielded Keystone Jack
- 20-2 AWG w/ground
- 14-2 AWG
- AC Power