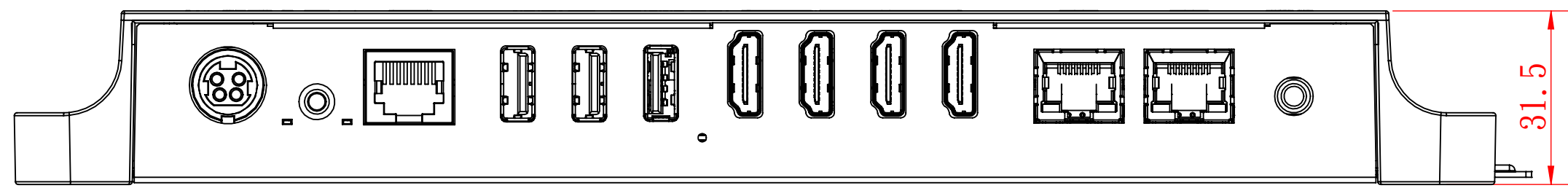
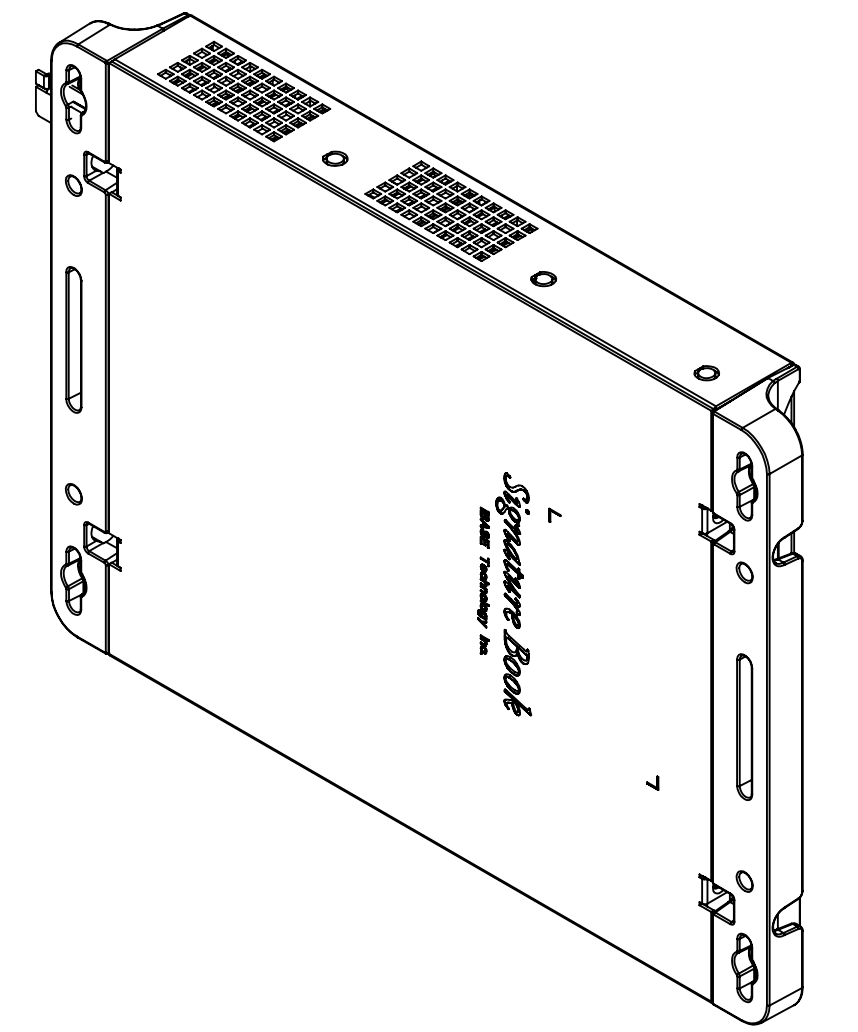
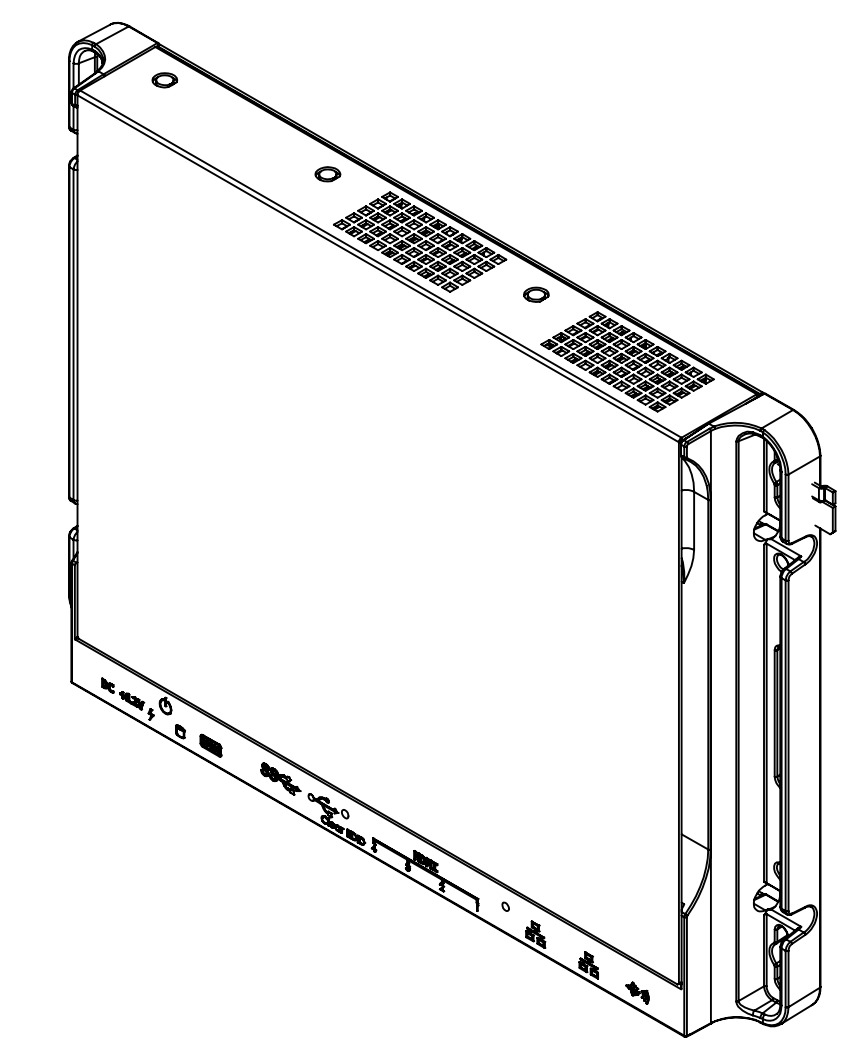
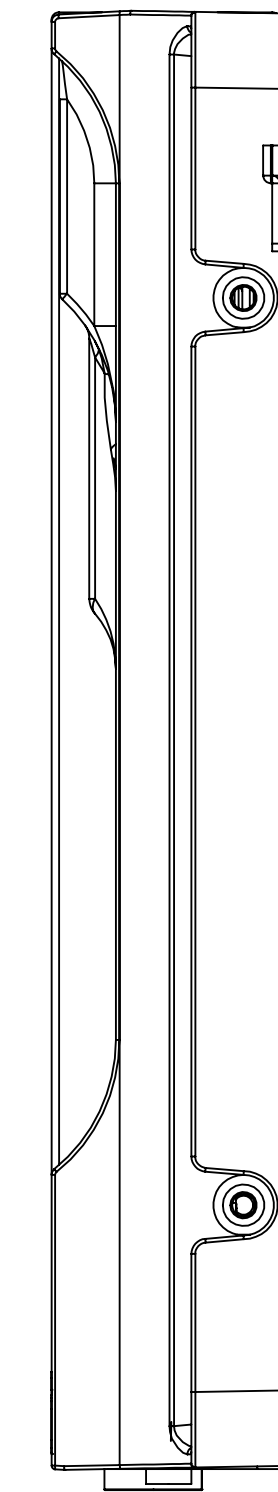
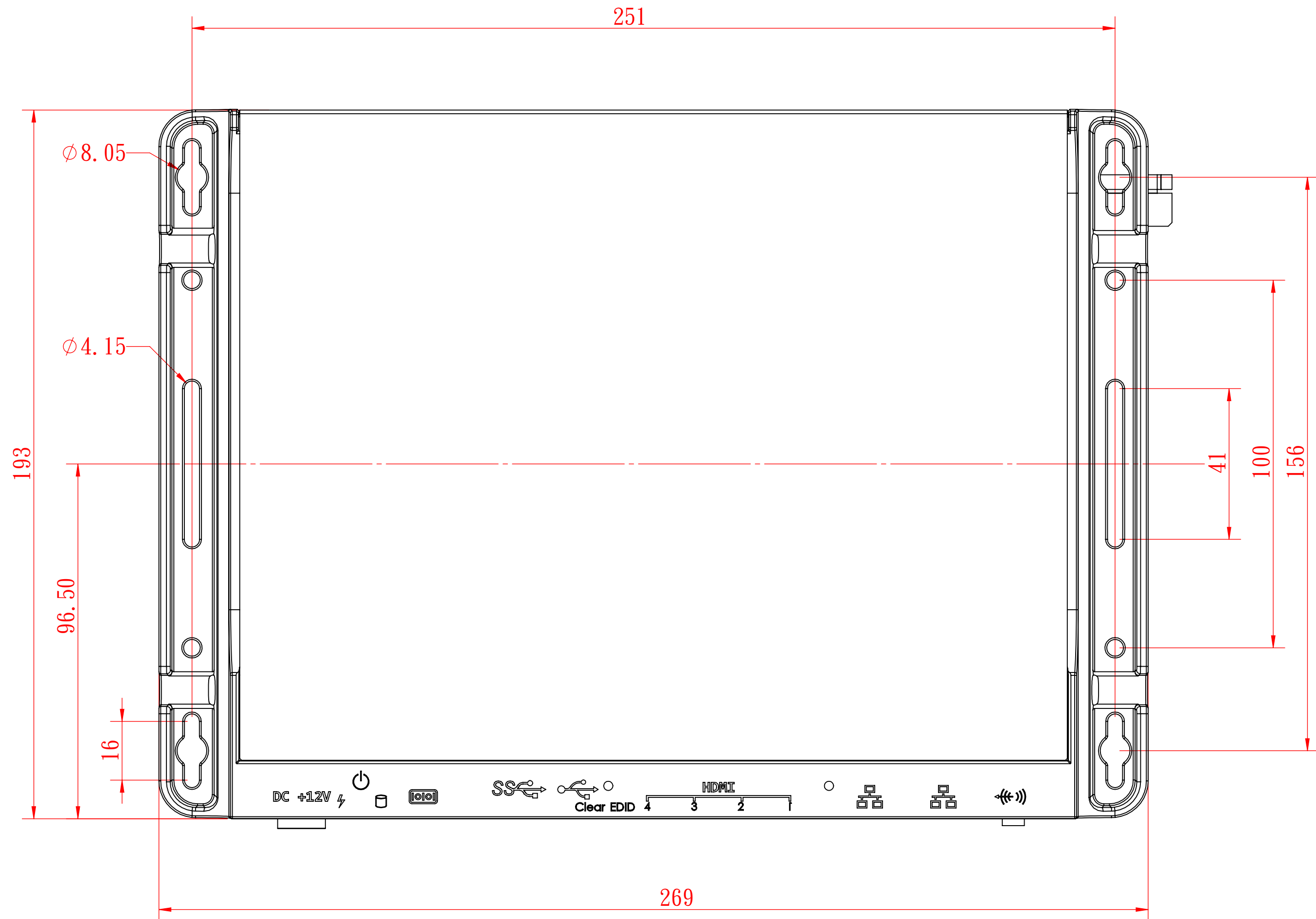
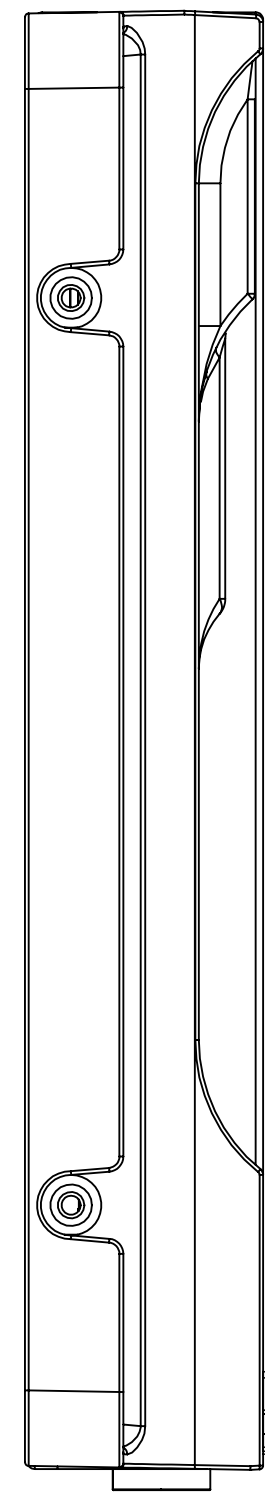


P/N:  
XXXXXXXXXXXXXXXXXXXX



Note:  
1. Material:  
2. Finish:  
3. No burr, flash, scratch.  
4. Unspecified chamfer "C" to be 0.5mm  
5. Unspecified radius "R" to be 0.5mm  
6. Nut & Standoff & opening:  
7. Check point:

Mark	Description	Date	Sign

TOL	M1	M2	S1	S2	P1	P2	C	B
0-6	.05	0.1	.15	.02	.25	0.1	0.5	
6-30	0.1	0.2	.15	.25	0.1	.15	1	
30-80	.15	.25	0.3	0.2	0.4	2		
80-180	.15	0.3	.25	.45	0.4	0.8	3	
180-315	0.2	0.5	0.4	0.4	0.4	1.2	3	
315-800	0.5	0.8	0.7	1.1	0.8	1.5	4	

<b>ZERO IN</b>		MODEL	ZI.FLX
DWG. NO.	PARTS NO.	TITLE	NONE
APPROVED.	QTY	1	MATERIAL
CHECKED	SCALE	1:1	Ver. : A1
DRAWN	UNIT	mm.	NONE
Danny Wang	2015/7/28		